



M30E

Electric

OWNERS

MANUAL

SERIAL #: _____

ENGINE #: _____

WARNING

- If operated improperly, this machine may cause serious injury or death.
- Do not wear loose clothing when operating this machine, as it may become entangled in the equipment.
- Stay clear of all moving parts when the machine is running.
- ALWAYS confirm the machine is OFF and properly secured before servicing.
- ALWAYS wear safety glasses, sound protection (ear plugs), hand protection (gloves), and steel-toed boots when operating this machine.
- NEVER stand in water while operating this machine (ELECTRIC MODEL).
- ALWAYS use properly grounded power cords (ELECTRIC MODEL).
- Power cords should ALWAYS be the proper wire gauge for each particular application (ELECTRIC MODEL).
- ALL extension cords should be plugged into a “ground fault interrupter” (ELECTRIC MODEL).
- NEVER use extension cords that are in any way damaged, frayed or cut (ELECTRIC MODEL).
- ALWAYS use the proper cutting RPM as specified by your blade manufacturer.
- ALWAYS shut off the machine before changing the blade (UNPLUG ELECTRIC MODEL before changing the blade).
- Ensure proper position and security of ALL safety guards before operating this machine.
- ALWAYS inspect the machine before use for safe operation.
- FIRE HAZARD! Inspect for any leaking fluids (gas, oil and etc.) prior to operation of this machine.

WARNING Continued

- DO NOT attempt to off-load any piece of equipment on uneven ground of any degree of slope. DO NOT leave equipment unattended on uneven ground. Injury or death may occur.

**THIS EQUIPMENT SHOULD NOT BE OPERATED BY ANYONE UNDER
THE AGE OF 18.**

LIMITED WARRANTY

WARRANTY:

Morley Equipment Company warrants that at the time of shipment, the product manufactured by Morley Equipment Company and sold hereunder shall be free from defects in material and workmanship.

WARRANTY ADJUSTMENTS:

Morley Equipment Company agrees to repair or furnish any faulty component within 30-days from date of purchase, provided the machine is operated and maintained in accordance with Morley Equipment Company owner's and engine manuals and operating instructions.

One (1) year warranty on major components (such as engine, drive motors, hydraulic pump, hydraulic motor and etc.) with an authorized service facility. If examinations by Morley Equipment Company prove a defect within warranty, receipt verifying purchase date and serial numbers are required to obtain adjustment.

No product will be accepted for return or replacement without prior authorization by Morley Equipment Company. Products returned are addressed to:

**Morley Equipment Company
41161 Sandalwood Circle
Murrieta, CA 92562
(951) 894-5558**

EXCLUSIONS FROM WARRANTY:

This Warranty does not extend to any product supplied by Morley Equipment Company which has been subjected to misuse, neglect, accident, improper installation or used in violation of instructions provided by Morley Equipment Company.

M30 ELECTRIC SAW INFORMATION


1. This Manual provides the basic instructions for the operation and maintenance of the M30E electric concrete saw. To comply with codes in your area of operation, you will need to install the appropriate 3-phase plug.

2. **M30 ELECTRIC:**

MOTOR:	WEG W22 NEMA Premium 286TS - 3-Phase (30hp)
Drive Unit:	Hydrostatic Transmission
Spindle:	1-7/16" with Tapered Roller Bearings
Arbor Size:	1"
Blade Capacity:	14" to 36" Diameter
Depth Control:	Hydraulic Raise/Lower
Weight:	Single Speed: 1,130 lbs., 3 Speed: 1,220 lbs.
Length:	44"
Wide:	31" w/ Quick Detach Spindle
Height:	44"
RPM:	Single Speed: 2640, 3-Speed: 1176, 1765, 2640

OPTIONAL EQUIPMENT

1. 3-Speed Gearbox – 1176, 1765, 2640
2. Night Light
3. Bladeguards - Comes with 20" standard. 16", 26", 30" and 36" optional.
4. Self-priming Electric Water Pump



3. The new machine was test-run before leaving Morley Equipment Company, however check all fluid levels before operation.

4. **LUBRICATION/SERVICE CHART**

ITEM	CHECK	LUBRICANT
Hydrostatic Transmission	Monthly	20W-50 Motor Oil
Hydraulic Pump – Raise/Lower	Monthly	ATF
Spindle Bearings	Daily	Grease
Front Axle	Weekly	Grease
Front Wheels	Weekly	Grease
Gear Box	Monthly	85W 140 Gear Oil

5. To adjust or replace the belts, loosen the 1/2" "pinch" bolts, one on either side at the front of the motor base plate, and the two 5/8" bolts that run vertical at the front of the motor plate. This allows the motor to be raised or lowered, loosening the belts for replacement or tensioning. Then raise the motor and tighten the bolts after belt replacement or to adjust tension. It is important that the tension is just enough to drive without slipping. Too tight shortens bearing life, too loose shortens belt life.

CONTROL OPERATING INSTRUCTIONS

1. **WATER SUPPLY:** Connect the water supply to the inlet fitting, and open the water valve to control the flow.
2. **RAISE/LOWER:** By pulling back the Raise/Lower lever, a handle activates a hydraulic pump to raise the saw. Push the lever forward to lower the saw. You can control the lowering speed by opening the valve gradually. For adjusting the handle assembly, see Raise/Lower Valve Adjustment page.
3. **SPEED CONTROL:** The Forward/Reverse lever determines forward and reverse speeds, with a "neutral" position in between. By pushing the speed control lever forward, the saw will move forward at variable speeds. Pulling the lever back does the same in reverse.
4. **BLADE FITTING:** Remove spindle nut with provided blade wrench. On the right hand side of the machine is the reverse thread. Install blade and tighten nut with wrench and hammer provided. Ensure blade guard is secure before starting.
5. **STARTING THE ENGINE:** Once plugged into the power source, pull the start switch and check the amp gauge for a reading. Push the on/off switch to turn off the motor.
6. **POSITIONING THE SAW:** This is a rear-pivot saw. It's designed to be maneuvered on the rear wheels. Position the handlebars to suit the operator. Pushing down on the handlebars will lift the front wheels off the ground, allowing you to maneuver the saw left or right.

CONTROL OPERATING INSTRUCTIONS Continued:

7. **CUTTING:** Lay out the cuts using a chalk line or string and paint. Align your pointer guide with the blade, pointer guides do not come aligned from the factory. When aligned and positioned, turn on the water and lower the saw to desired cut depth, then drive the saw forward to a comfortable cutting speed. It is recommended to step-cut - i.e. take several passes to reach desired depth. If step-cutting, return the saw to the original insertion point and lower the blade to the secondary depth and repeat the cut.
8. **CLEANING:** The entire saw should be thoroughly washed weekly or as required. Use caution when cleaning near the electrical components. Be sure to clear any debris - dust, slurry, etc. - out of the radiator's cooling fins as required.
9. **STORAGE:** Always lubricate the saw after cleaning. A fine coat of WD40 will help remove future slurry.
10. **CALIBRATION:** Always check alignment. The spindleshaf and rear axles must be aligned to insure the saw travels straight and the blade moves parallel to the rear wheels.
11. **REPLACEMENT PARTS:** All replacement parts must be ordered from Morley Equipment Company or an authorized distributor to effect Warranty. Please supply saw Model and Serial Number if possible when ordering parts.
12. **QUESTIONS AND CONCERNS:** Should you have any questions relative to the operation or servicing of your equipment, do not hesitate to contact **Morley Equipment Company at (951) 894-5558**; or Email us at **morleyequipco@gmail.com**. A Parts List for the saw is also available online at **www.morleysaws.com**.

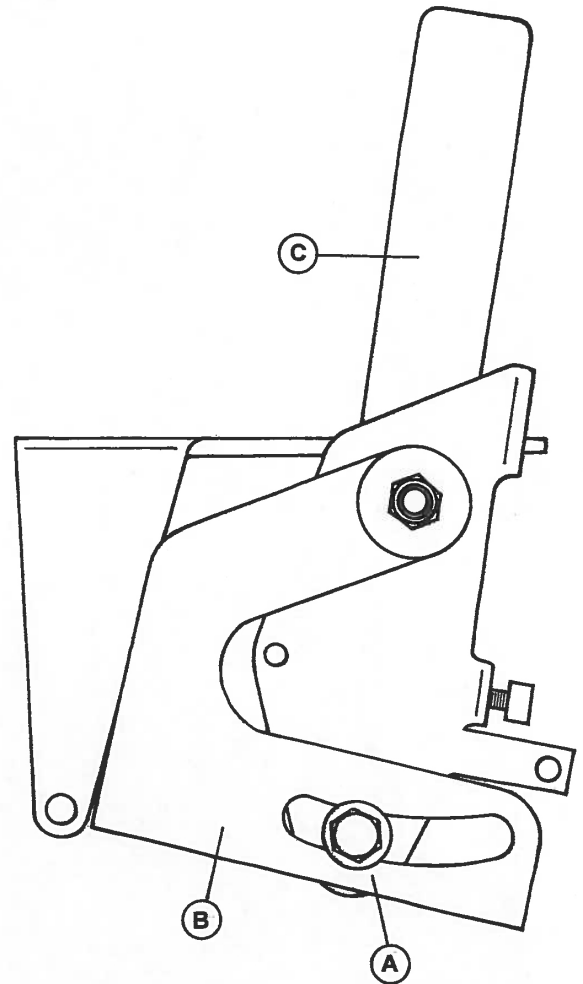
M30E ELECTRIC BELT GUIDE

	DRIVE BELT	HYDROSTATIC DRIVE BELT
3-SPEED	3VX450 (6)	3VX375
SINGLE SPEED	3VX475(6)	3VX375

RAISE/LOWER VALVE ADJUSTMENT

From time to time your Raise/Lower Assembly may need some minor adjustments. If your saw creeps down when the R/L Lever is returned to its "neutral" position after being raised, the needle valve is not closing completely.

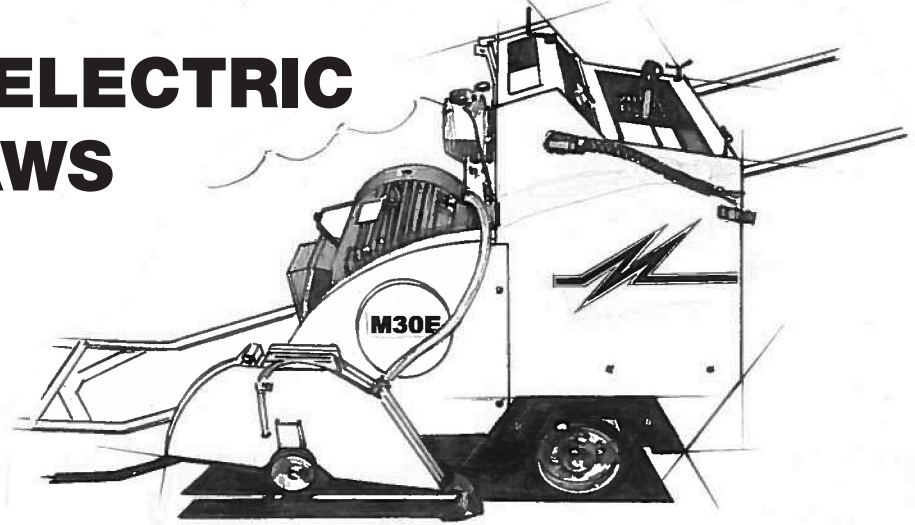
Needle valves wear over time. To adjust the valve to keep it from dropping, loosen the 5/16" bolt and nut (A) with two half inch wrenches. Rotate the arm (B) forward slightly, and re-tighten (A).



RAISE FLOW CONTROL VALVE ADJUSTMENT

Inside the rear access panel above the radiator on the left side is a needle valve that allows you to adjust the raising speed. Your saw comes with the raise speed pre-set at the factory. This valve allows you to reset the speed to suit your needs.

M.E.C. ELECTRIC FLATSAWS



GENERATOR AND CABLE/CORD REQUIREMENTS

HP RATING	PHASE	MINIMUM GENERATOR KW	MAX AMP LOAD	VOLTS	25' TO 50' WIRE	100' WIRE	100' TO 200' WIRE
5	1	13	23	230V	#10	#10	#8
5	3	8	14	230V	#8	#10	#8
5	3	8	7	460V	#14	#14	#10
7.5	1	18	32	230V	#8	#6	#4
7.5	3	11	18.8	230V	#10	#8	#6
7.5	3	11	9.4	460V	#14	#12	#8
10	1	23	40	230V	#6	#4	#2
10	3	15	26	230V	#10	#8	#6
10	3	15	26	460V	#12	#10	#8
15	3	22	38.4	230V	#8	#6	#4
15	3	22	19.2	460V	#10	#10	#6
20	3	28	49	230V	#6	#4	#1
20	3	28	24.5	460V	#8	#6	#6
30	3	42	36.3	460V	#8	#6	#4
40	3	54	46.5	460V	#6	#6	#2
50	3	71	61.9	460V	#6	#4	#2

M30 ELECTRIC PARTS LIST

SPINDLESHAFT ASSEMBLY

PARTS#	REQUIRED	DESCRIPTION
1100-30E	1	Spindleshft
1101-30E	2	Pillow-blocking Bearing
1115-30E	2	4 1/2" Inner Blade Collar
1116-30E	2	4 1/2" Outer Blade Collar
1104-30E	1	Left-hand Nut
1105-30E	1	Right-hand Nut
1106-30E	1	Sheave / 7 Groove Pulley
1107-30E	1	Bushing
1120-30E	1	Key - 3/8"
1109-30E	2	Key - 1/4"
1002-30E	6	Belts: 3-Speed - 3VX450
1117-30E	6	Belts: Single Speed - 3VX475
1118-30E	1	Left-hand Spindle Stud
1119-30E	1	Right-hand Spindle Stud

FRONT AXLE ASSEMBLY

PARTS#	REQUIRED	DESCRIPTION
5100-30E	1	Weldment
2101-30E	2	Axle - 1"
3002-30E	2	Wheel - 6" x 2"
2103-30E	2	Collar - 1"
2104-30E	2	Pillow-block Bearing - 1"
2105-30E	1	Clevis Pin - 5/8" x 3.5"
2106-30E	1	Depth Gauge
2114-30E	1	Clevis Pin - 5/8" x 3"

HYDRAULIC RAISE/LOWER ASSEMBLY

PARTS#	REQUIRED	DESCRIPTION
3100-30E	1	Pump Motor
3101-30E	1	Flow Control Valve
3102-30E	1	Hydraulic Cylinder
3103-30E	1	Raise/Lower Handle Assembly
3106-30E	1	Cole Hearse Solenoid

HYDROSTATIC DRIVE ASSEMBLY

PART#	REQUIRED	DESCRIPTION
4100-30E	1	Pump
4101-30E	2	Wheel Motor
4102-30E	1	Positraction Manifold
4103-30E	2	Wheel Hub
3001-30E	2	Rear Wheel - 10" x 3"
4105-30E	1	Filter Assembly
4106-30E	1	Filter - Hydrostatic Oil
4107-30E	1	Reservoir - Plastic
4201-30E	1	Forward/Reverse Lever Assembly
4109-30E	1	Drive Cable - 26"
4110-30E	1	Drive Cable - 33"
4121-30E	1	Pump Belt – 3VX 375
4112-30E	1	Wheel Motor Bracket
4113-30E	1	Hydrostatic Drive Pump Bracket
41010-30E	2	Cable End - Balljoint

POINTER ASSEMBLY

PART#	REQUIRED	DESCRIPTION
5100-30E	1	Weldment
5101-30E	1	3" Pointer Wheel
5102-30E	2	Delrin Bushing
5105-30E	2	Pointer End
5103-30E	1	Pointer Cable

FRAME CONSOLE

PART#	REQUIRED	DESCRIPTION
6100-30E	1	Mainframe
6101-30E	1	Console
6102-30E	1	Belt Guard - Left Side
6103-30E	1	Belt Guard - Right Side
6105-30E	1	Rear Access Panel
6107-30E	1	Access Panel - Electrical
3022-30E	2	Handlebar
3026-30E	2	Locking T - Handle

MOTOR/MOTOR CONTROLS

PART#	REQUIRED	DESCRIPTION
8000-30E	1	WEG W22 Premium 286TS – 3-Phase (30hp)
8001-30E	1	Current Transformer
8002-30E	1	Control Transformer
8003-30E	1	Magnetic Starter
8004-30E	1	Overload Relay
8005-30E	1	6" Sheave

CHARGING

PART#	REQUIRED	DESCRIPTION
3023-30E	1	MF-51 Battery Genius
3113-30E	1	Battery Charger

BLADEGUARD ASSEMBLY

PART#	REQUIRED	DESCRIPTION
8100-30E	1	Water Distribution Block w/Hose Fittings
8181-30E	2	Outlet Water Hose - 1/4"
8102-30E	1	Inlet Water Hose - 1/2"
9110-30E	1	Water Valve
8104-30E	1	Mud Flap
8105-30E	1	20" Bladeguard
8106-30E	1	26" Bladeguard
8107-30E	1	30" Bladeguard
8108-30E	1	36" Bladeguard

CONSOLE

PART#	REQUIRED	DESCRIPTION
9116-30E	1	Pull/Push On/Off Switch
9113-30E	1	Console Sticker Set
9103-30E	1	Amp Meter
9108-30E	1	Positraction Switch
9109-30E	1	Brake Release Switch
9123-30E	2	Indicator Lights
2106-30E	1	Depth Gauge

M-30E Electric Tank Information



Hydraulic Raise Pump Tank

Located underneath the right handle bar, behind the front cover plate.

Use standard automatic transmission fluid.

Gear Box Vent Tank

Located lower right.

DO NOT FILL THIS TANK.

Hydrostatic Drive Oil Tank

Located on the top left side of the machine.

Use 20w-50 motor oil.

